

SPECIFICATIONS

DDR3 Connector

Mechanical

Contact Retention Force: 0.30Kg (0.66Lbs) min. per Contact
Durability: 25 Cycles
Insertion Force: 6.8 Kg (15Lbs)

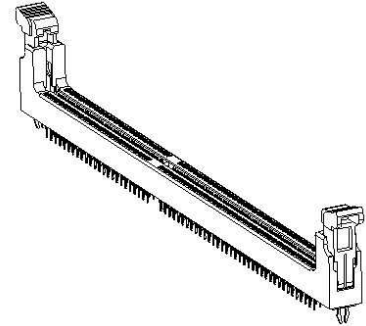
ATH40 Series
Vertical, T/H Type
1.00mm [.039"] Pitch
240 Pos.

Electrical

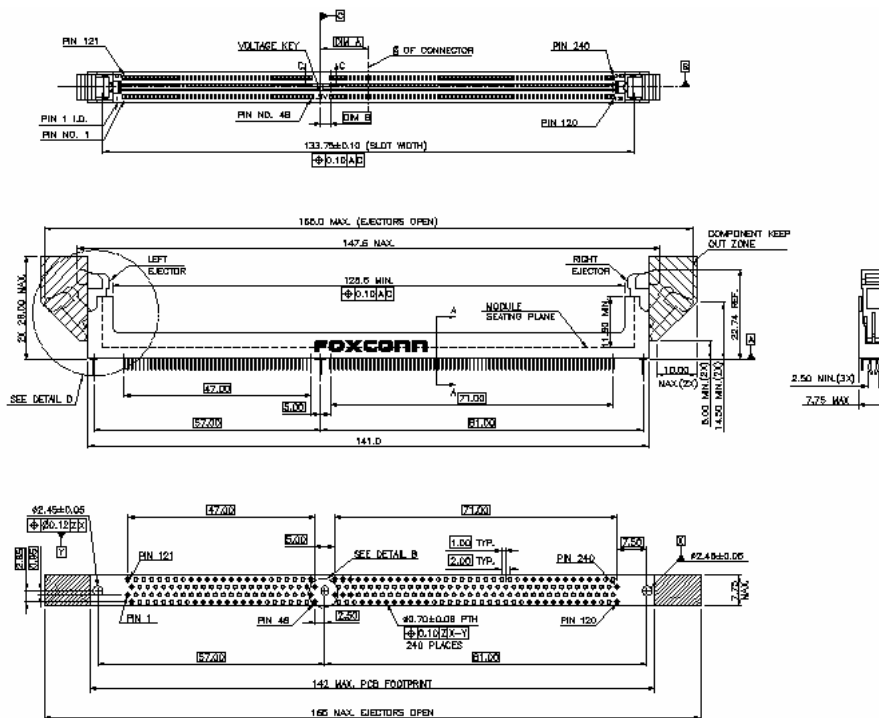
Insulation Resistance: 1000MΩ min. at 500V DC
Dielectric Withstanding Voltage: 500V DC at Sea Level
Low Level Contact Resistance: 10mΩ max. initial, Change not greater than 10mΩ Max.

Physical

Housing: Thermoplastic, UL 94V-0 rated in Blue Color
Contact: Copper alloy
Ejector: Thermoplastic, UL 94V-0 rated in Ivory or Natural Color
Metal Hold Down: Copper alloy
Operating Temperature: 0°C to +85°C



DRAWING



ORDERING INFORMATION

PRODUCT NO: **A T H 4 0 * * - H9L - * ***

Memory Socket
 Vertical
 DDRIII DIMM
 Vertical 1.00 Pitch
 No. of Pos.
 40=240 Pos
 Tail Length
 0=3.18[.125]
 1=2.67[.105]

PLATING TYPE
 4F=LEAD FREE
 Extension Code

Contact Area Plating
 1=Gold Flash
 3=30u" Gold
 6=15u" Gold
 7=15u" Gold

ATH401*-H9L-4F	240	1.5V	2.67	3.78
			[.105]	[.149]
ATH400*-H9L-4F		1.5V	3.18	4.57
			[.125]	[.180]
P/N	POS.	VOLTAGE MARKING	DIM.C	DIM.D